

COPPER ACCESSORIES

WALL BOX "503 standard"



Description

ORCA® wall box is compatible with ORCA faceplate. It is available in white and ivory in stock. Other colors are available on request.

Feature:

Easy mount wall installation

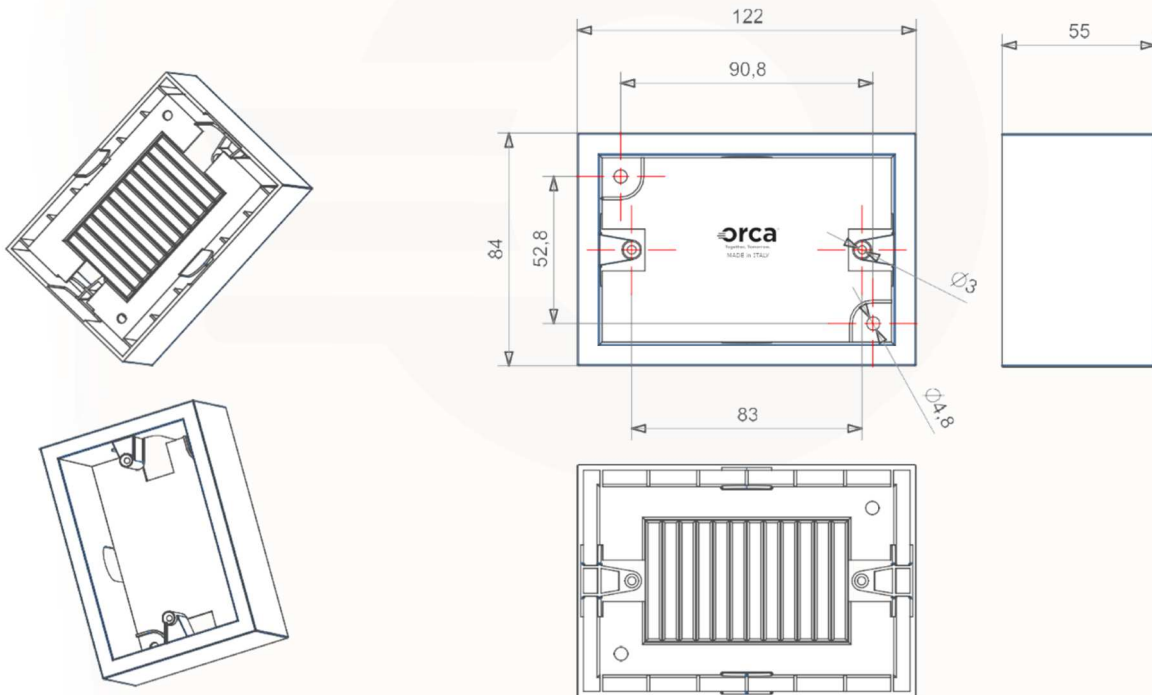
Dimension: 122x84x55mm

Available in horizontal and vertical version

Compatible 503 dimension

Mat. PS 0,5%

Faceplate dimension: 70.0mm x 114.3mm x 40.0mm



Ordering Information code:

OC-ACC-251005-01 ORCA - Wall box faceplate (503) white (prof. 55mm)

OC-ACC-251005-02 ORCA - Wall box faceplate (503) ivory (prof. 55mm)



Specifications subject to change without prior notice - For more details please visit www.orca.it