

FIBER OPTIC ACCESSORIES

# LC STYLE CERAMIC FIBER CONNECTOR



## Description

ORCA® connectors are designated and manufactured with an ISO9001 system. A complete line of fiber connectors for any telecommunications application. Available in Multimode and Single-mode version. Available connector styles include MT-RJ, SC, ST, LC and FC. Feature connectors with ceramic ferrules. Most standard connectors are in stock for immediately ship, special and bulk packages are available and we make quickly on request.

### Feature:

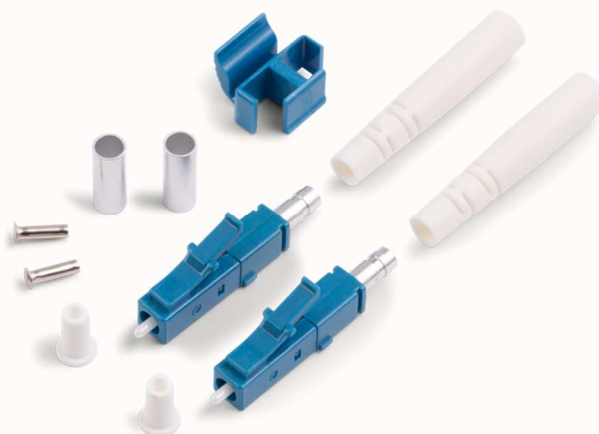
High performance, pre-radius ceramic ferrule	Anaerobic epoxy compatible
LC Style compatible coupling	For 125µm cladding diameter
Universal Connector body	900µm and 3mm boots
Available in multimode or singlemode	Available clips for making one Duplex LC
Field installable	ROHS Compliant

Connectors are designed and tested to conform the requirements of IEC 60874-14, CECC BFOC 86260, EIA/TIA and Telcordia (Bellcore) documents for connectors.

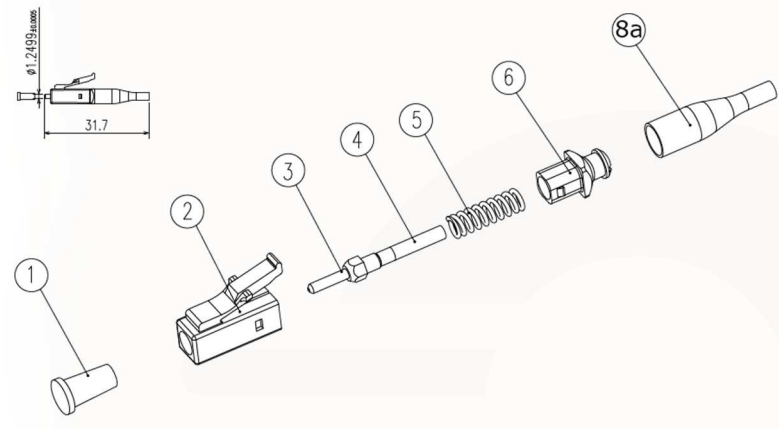
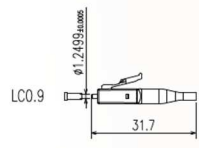
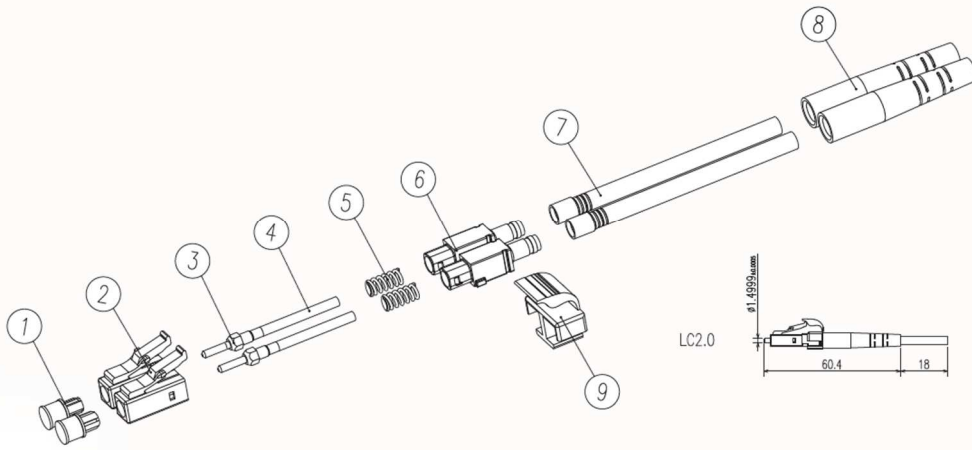
### Product Facts:

Typical insertion loss:	<0,5dB
Typical Return Loss:	<-58dB
Temperature Range:	-30°C to +70°C
Durability:	500 Cycles
Ferrule Type:	Ceramic
Body material:	Polymer

The stated values are reflecting the connector's abilities; anyhow, the exact values are absolutely depending on the accuracy of the termination, installation, and finale testing, as well as the handling of the used test equipment.



Specifications subject to change without prior notice - For more details please visit [www.orca.it](http://www.orca.it)



Construction		
1	Dust Cover	PP
2	Housing	PBT+GF
3	Ferrule	Ceramic + Bronze
4	Hose	PP
5	Spring	S-Steel
6	Stopper	PBT + GF
7	Crimp ring	Aluminium
8a	LC 0.9 boot	TPE
8	LC 3.0 boot	TPE
9	LC Clip	PBT + GF

**Ordering Information code:**

LC MultiMode (MOQ 10 Pz.)	
OC-FCE-130321-01	ORCA - LC SPX Connector MultiMode whit 3.0mm boot
OC-FCE-130311-01	ORCA - LC DPX Connector MultiMode whit 3.0mm boot and clip
OC-FCE-130321-02	ORCA - LC SPX Connector MultiMode whit 900um boot
LC SingleMode (MOQ 10 Pz.)	
OC-FCE-130323-01	ORCA - LC SPX Connector SingleMode whit 3.0mm boot
OC-FCE-130313-01	ORCA - LC DPX Connector SingleMode whit 3.0mm boot and clip
OC-FCE-130323-02	ORCA - LC SPX Connector SingleMode whit 900um boot