

COPPER ACCESSORIES

# MODULAR PLUGS



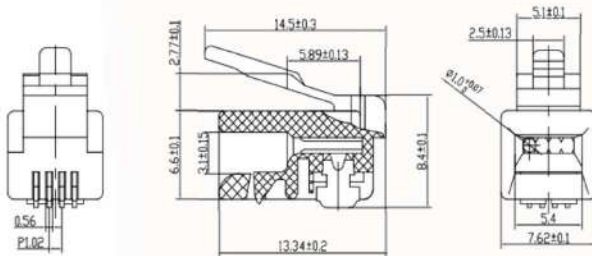
## Description

All the ORCA® modular plugs are designated and manufactured with an ISO9001 system. A complete line of the modular plugs for any telecommunications application. Available modular plugs for solid and stranded copper conductor. Most Modular plugs are in stock for immediately ship, special and bulk packages are available and we make quickly on request.

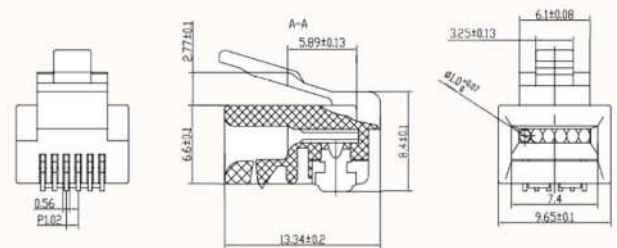
### Feature:

Available Shielded and Unshielded	Available Cat.3, Cat 5E and Cat 6
Backwards compatible	Field terminable capability
Ultra slim design for high density environments	Designed for ease of termination and assembly
Acceptable stranded and solid cable FTP and UTP	
Telephonic version are suitable for 24-26 AWG cable	
LAN version are suitable for 23-26 AWG cable	
Housig: polycarbonate UL94V-0 or -2	Transparent color
Contact blade made in copper alloy	30 micro gold plating contacts
2 or 3 legs available	
UL Application 250Vac max at 2A	Dielectric: 1000Vac @60sec
Insulation resistance: 500MΩ (100MΩ telephonic)	Contact resistance: 20mΩ max
Strain Relife: 20 pound min.	Durability: 200-350 mating cycles
ROHS Compliant	

### Plug 4 position UTP

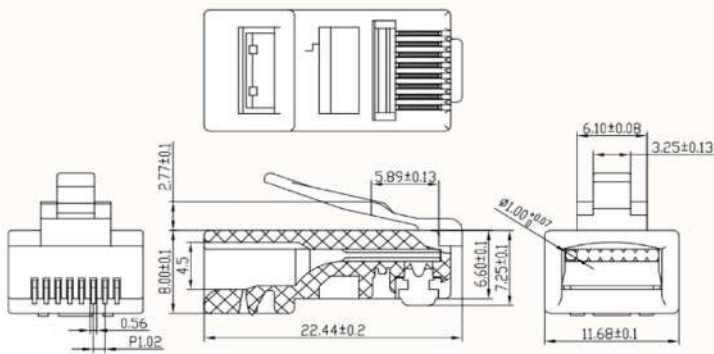


### Plug 6/4 position UTP

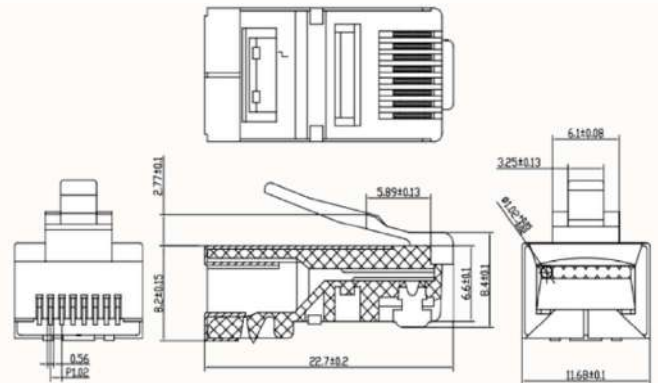


Specifications subject to change without prior notice - For more details please visit www.orca.it

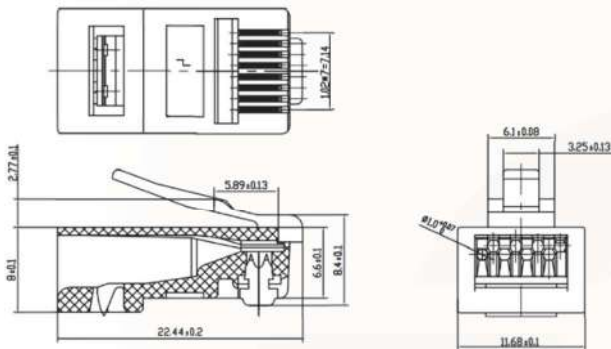
### Plug 8 position Cat5E UTP



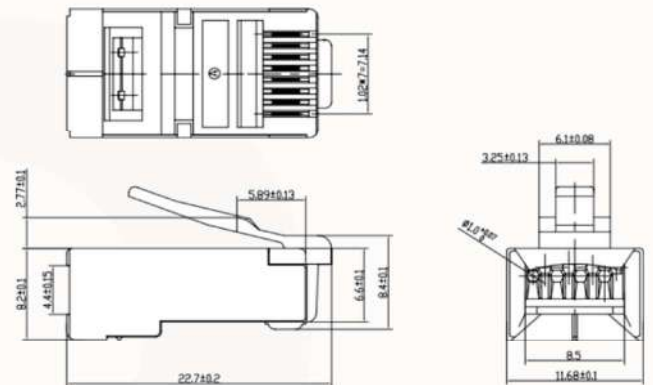
### Plug 8 position Cat5E FTP



### Plug 8 position Cat6 UTP



### Plug 8 position Cat6 FTP



#### Ordering Information code:

(MOQ. 50 Pz. pack)

OC-PLG-230110-00 ORCA - Plug 4 position UTP stranded cable  
 OC-PLG-230110-01 ORCA - Plug 4 position UTP for solid installation cable

OC-PLG-230113-00 ORCA - Plug 6/4 position UTP stranded cable  
 OC-PLG-230111-00 ORCA - Plug 6 position UTP stranded cable

#### CAT. 5E

OC-PLG-232112-02 ORCA - Plug 8 position UTP for Cat.5E stranded cable  
 OC-PLG-232122-01 ORCA - Plug 8 position UTP Cat.5E solid installation cable  
 OC-PLG-232212-02 ORCA - Plug 8 position FTP for Cat.5E stranded cable  
 OC-PLG-232212-01 ORCA - Plug 8 position FTP Cat.5E solid installation cable

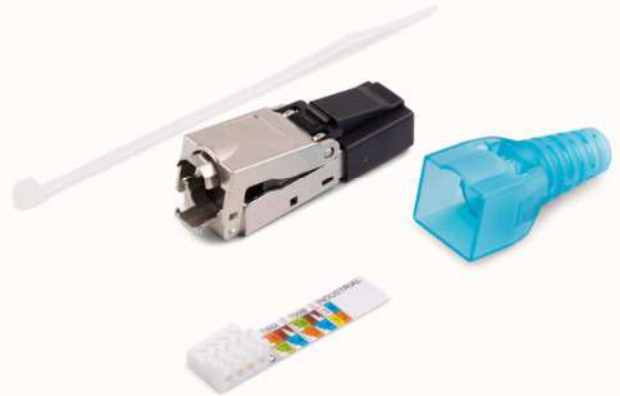
#### CAT. 6

OC-PLG-233112-00 ORCA - Plug 8 position whit pre-insertion UTP, Cat.6 stranded cable  
 OC-PLG-233112-01 ORCA - Plug 8 position UTP for Cat.6 solid installation cable  
 OC-PLG-233112-02 ORCA - Plug 8 position UTP for Cat.6 stranded cable  
 OC-PLG-233212-01 ORCA - Plug 8 position FTP for Cat.6 solid installation cable  
 OC-PLG-233121-01 ORCA - Plug 8 position FTP for Cat.6 stranded cable

Specifications subject to change without prior notice - For more details please visit [www.orca.it](http://www.orca.it)

COPPER ACCESSORIES

# PLUG CAT 6A FTP and UTP - toolless



## Description

All the ORCA® modular plugs are designated and manufactured with an ISO9001 system. A complete line of the modular plugs for any telecommunications application. Available modular plugs for solid and stranded copper conductor. Most Modular plugs are in stock for immediately ship, special and bulk packages are available and we make quickly on request.

### General Feature:

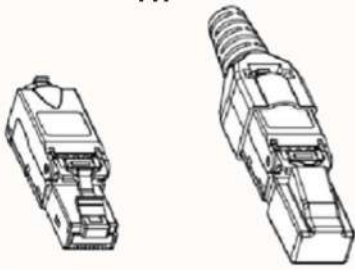
Available Shielded and Unshielded	Available in Cat 6A
Backwards compatible	Accommodate termination of 22,24 AWG cable
Cat 6A Permanent Link ANSI/TIA/EIA 568B.2-10	Solid and stranded cable
Working temperature: -10°/+60° C	Storage Temperature: -40/+60° C

FTP	UTP
Material FTP version: Zinc Alloy + PC	Material UTP version: Plastic PC
Rated current: 1.5 A	-
Insulation resistance: $\geq 500 \text{ M}\Omega$	Insulation resistance: $\geq 500 \text{ M}\Omega @100\text{Vdc}$
Contact resistance: $\leq 10 \text{ M}\Omega$	Contact resistance: $\leq 20 \text{ M}\Omega$
Conductor DC resistance: $\leq 0,1 \Omega$	-
Withstand voltage: DC 1000 V, AC 750 V, no breakdown within 1 minute	
Plug in life: $\geq 750$ times	
Retention force(lifting weight) : $\geq 5\text{kg}$	-
Service life IDC: 200 times of repeated threading	Service life IDC: 250 times of repeated threading

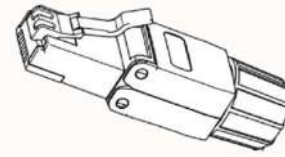


Specifications subject to change without prior notice - For more details please visit [www.orca.it](http://www.orca.it)

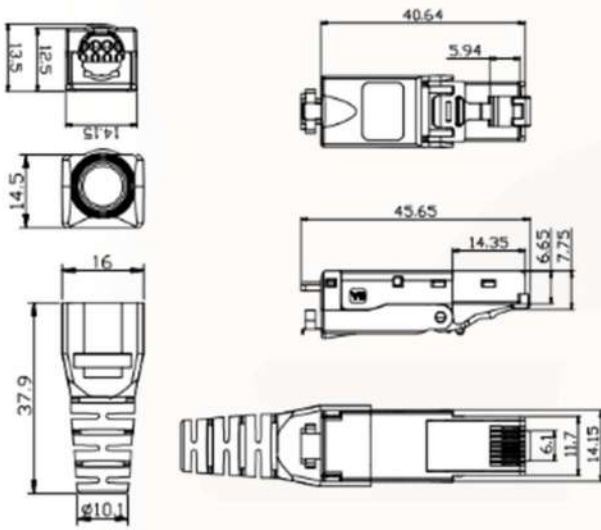
**FTP**



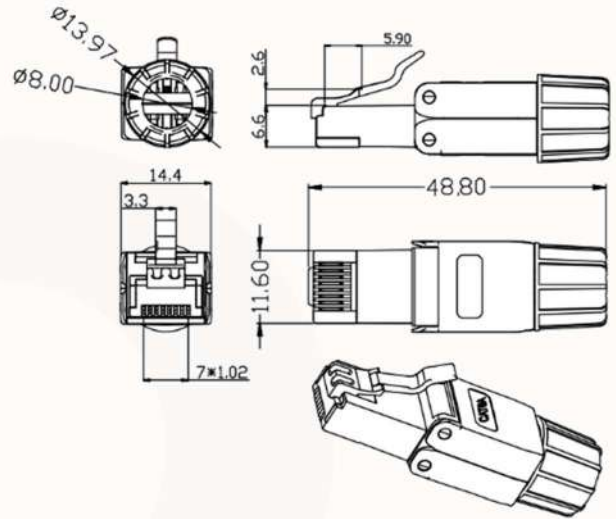
**UTP**



**FTP**



**UTP**



<b>Ordering Information code:</b>	
OC-PLG-233412-01	ORCA - Plug toolless - 8 position UTP for Cat.6A installation cable
OC-PLG-233312-01	ORCA - Plug toolless - 8 position FTP for Cat.6A installation cable

COPPER ACCESSORIES

# BOOT for MODULAR PLUGS



## Description

All the ORCA® boot plug covers are designated and manufactured with an ISO9001 system. A complete line of the modular plugs for any telecommunications application. Most modular plugs are in stock for immediately ship, special and bulk packages are available and we make quickly on request.

### Feature:

Available for Shielded and Unshielded plugs  
Realized in PVC

Available Cat.3, Cat 5E and Cat 6  
Suitable for RJ45 modular plug



### Ordering Information code:

(MOQ. 50 Pz. pack)

OC-PLG-252000-06	ORCA - Boot for modular plug - blue color
OC-PLG-252000-02	ORCA - Boot for modular plug - black color
OC-PLG-252000-09	ORCA - Boot for modular plug - green color
OC-PLG-252000-07	ORCA - Boot for modular plug - red color
OC-PLG-252000-04	ORCA - Boot for modular plug - grey color
OC-PLG-252000-05	ORCA - Boot for modular plug - orange color
OC-PLG-252000-08	ORCA - Boot for modular plug - yellow color
OC-PLG-252000-03	ORCA - Boot for modular plug - white color

Specifications subject to change without prior notice - For more details please visit [www.orca.it](http://www.orca.it)