

RACK - WALL MOUNTED

WALL MOUNTED CABINET



Description

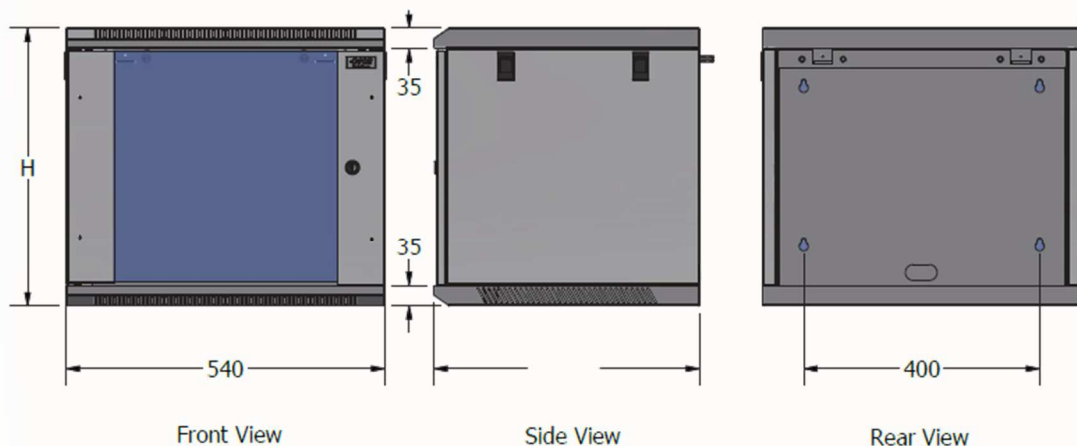
The ORCA Networking wall cabinets are designed and manufactured in compliance with quality and safety standards, optimal solutions for the management and organization of structure cabling. Orca system offers a range of wall racks with relative accessories. Rack cabinets are distinguished by their exceptional robustness, which, combined with affordability and simplicity of assembly/disassembly, place them at the top of their category.

General Feature

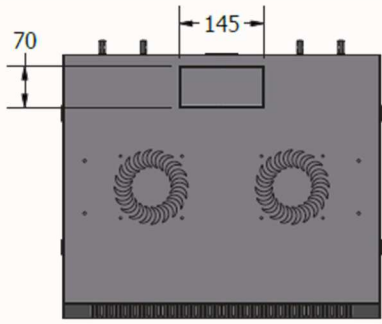
- 19" Compatibility, IP20 protection degree in according to EN 60529.
- Material: 10/10 Steel - Finish Surface Powder Coating, Color RAL9005 (Black)
- Pre-Punched and Plastic Cable Entries, Barrel Lock System
- Passive Ventilation Slots for the recirculation of hot air roof with predisposition for mounting fans
- 180° Opening Front Door, tempered glass reversible with quick release system, with lock, 2 key supplied.
- Blind side panels removable with quick release system.
- 2 rear steel 19" side fix uprights and 2 front adjustable in depth.
- Static Load Capacity: 60kg
- Wall pre-mounting Kit

Size:	6U	9U	12U	15U	15U	20U
Width	540	540	540	540	540	540
(Useful):	(519) mm	(519) mm	(519) mm	(519) mm	(519) mm	(519) mm
Depth	450	450	450	600	450	600
(Useful):	(354) mm	(354) mm	(354) mm	(504) mm	(354) mm	(504) mm
Height	337	472	607	607	740	961
(Useful):	(330) mm	(465) mm	(600) mm	(600) mm	(733) mm	(954) mm

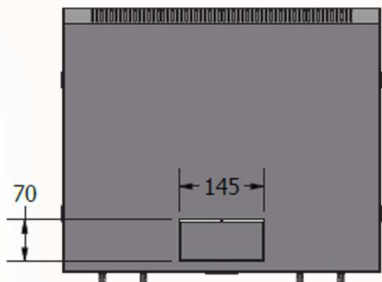
*Possibility of supplying in Flat Pack or Assembled version, on all measures.



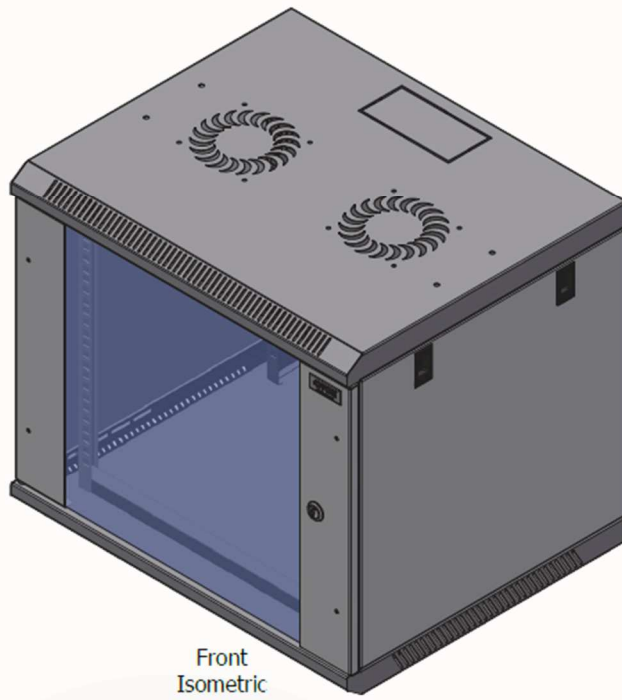
Specifications subject to change without prior notice - For more details please visit www.orca.it



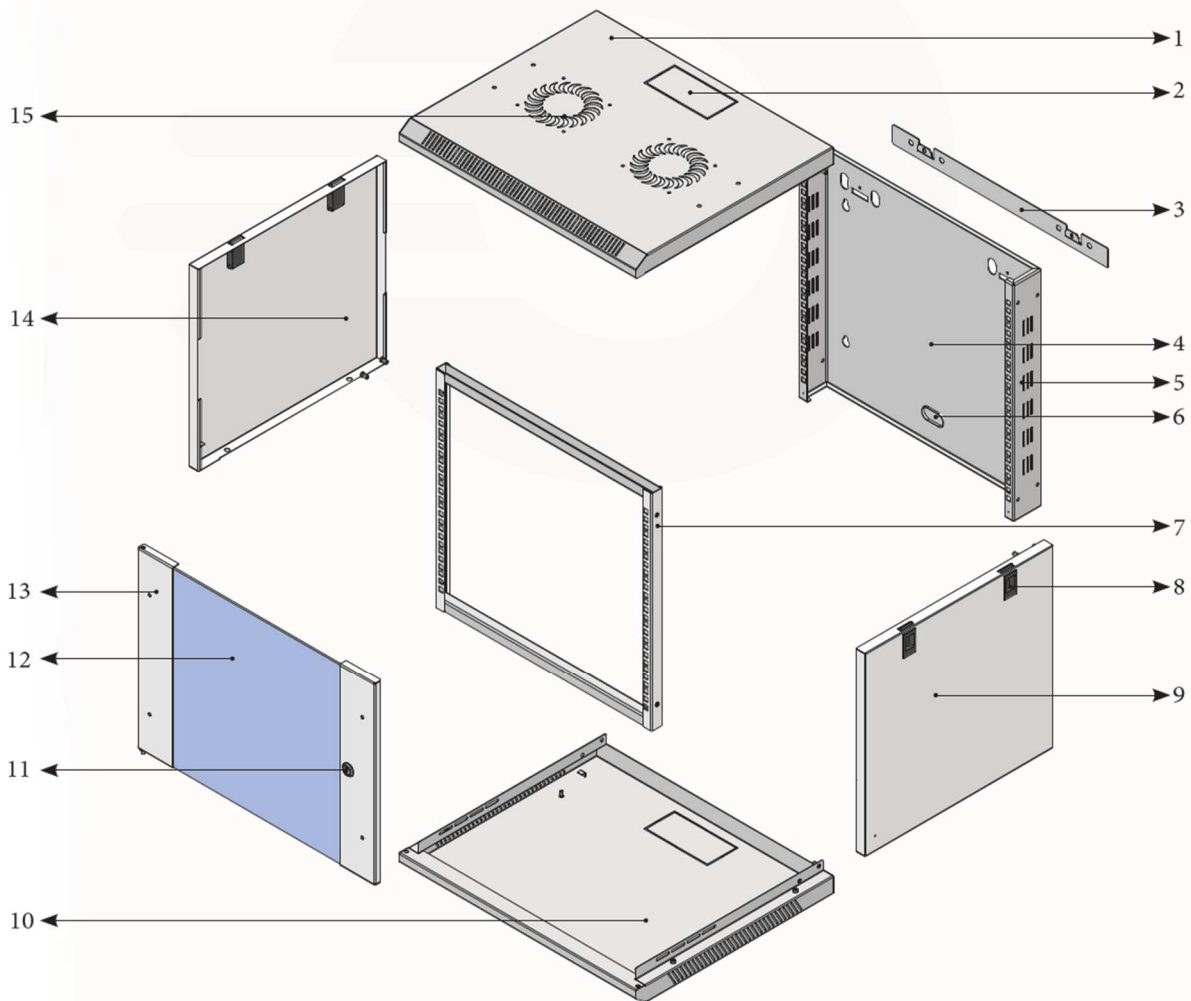
Top View



Bottom View



Front Isometric View



Specifications subject to change without prior notice - For more details please visit www.orca.it

Exploded diagram

COMPONENT LIST

1	Top Chassis	9	Side Panel
2	Breakable Cable Entry	10	Bottom Chassis
3	Wall Mount Part	11	Front Door Barrel Locking System
4	Rear Door	12	Glass Front Door
5	Rear 19" Device Mounting Rail, fixed.	13	Front Door
6	Rear Plastic Cable Entry cover hole	14	Side Panel
7	Front 19" Device Mounting Rail, adjustable	15	Ventilation slots
8	Side Panel Plastic Lock		



Ordering Information code:

FLAT PACK VERSION

OC-RKW-564500-06UM	ORCA - Wall Cabinet, 540x450x337 (6U) - Black - Flat Pack
OC-RKW-564500-09UM	ORCA - Wall Cabinet, 540x450x472 (9U) - Black - Flat Pack
OC-RKW-564500-12UM	ORCA - Wall Cabinet, 540x450x607 (12U) - Black - Flat Pack
OC-RKW-564500-15UM	ORCA - Wall Cabinet, 540x450x740 (15U) - Black - Flat Pack
OC-RKW-566000-12UM	ORCA - Wall Cabinet, 540x600x607 (12U) - Black - Flat Pack
OC-RKW-566000-15UM	ORCA - Wall Cabinet, 540x600x740 (15U) - Black - Flat Pack
OC-RKW-566000-20UM	ORCA - Wall Cabinet, 540x600x961 (20U) - Black - Flat Pack

MOUNTED VERSION

OC-RKW-564500-06M	ORCA - Wall Cabinet, 540x450x337 (6U) - Black
OC-RKW-564500-09M	ORCA - Wall Cabinet, 540x450x472 (9U) - Black
OC-RKW-564500-12M	ORCA - Wall Cabinet, 540x450x607 (12U) - Black
OC-RKW-564500-15M	ORCA - Wall Cabinet, 540x450x740 (15U) - Black
OC-RKW-566000-12M	ORCA - Wall Cabinet, 540x600x607 (12U) - Black
OC-RKW-566000-15M	ORCA - Wall Cabinet, 540x600x740 (15U) - Black
OC-RKW-566000-20M	ORCA - Wall Cabinet, 540x600x961 (20U) - Black